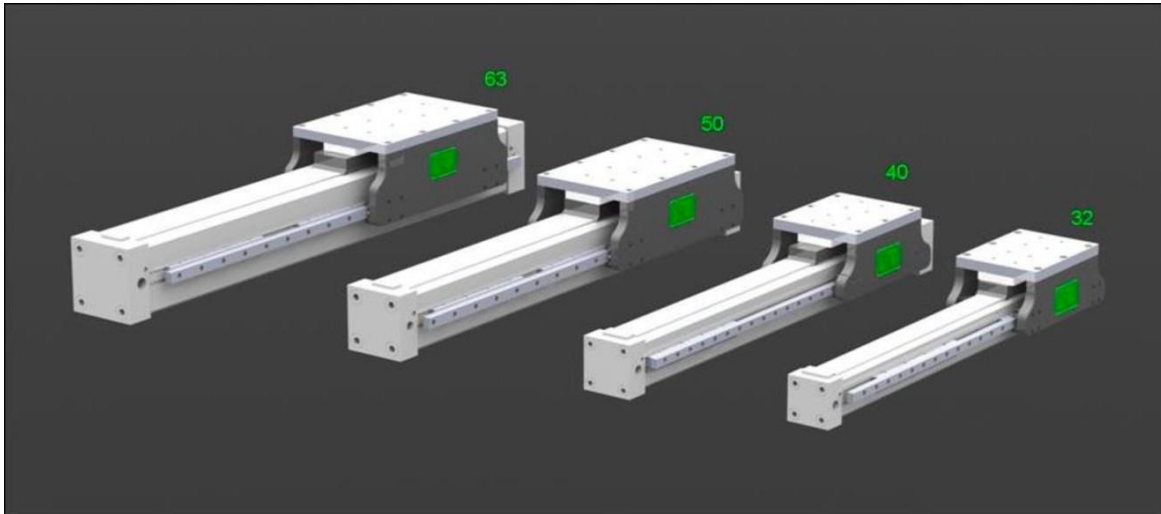
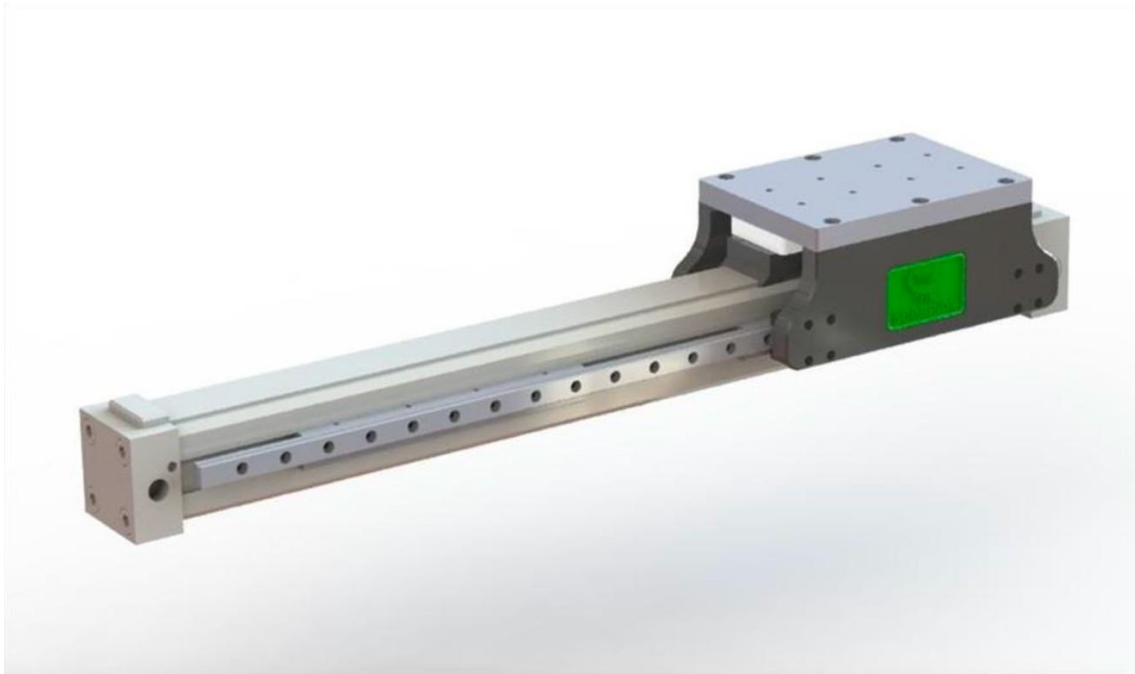




## Série 1605 MGL



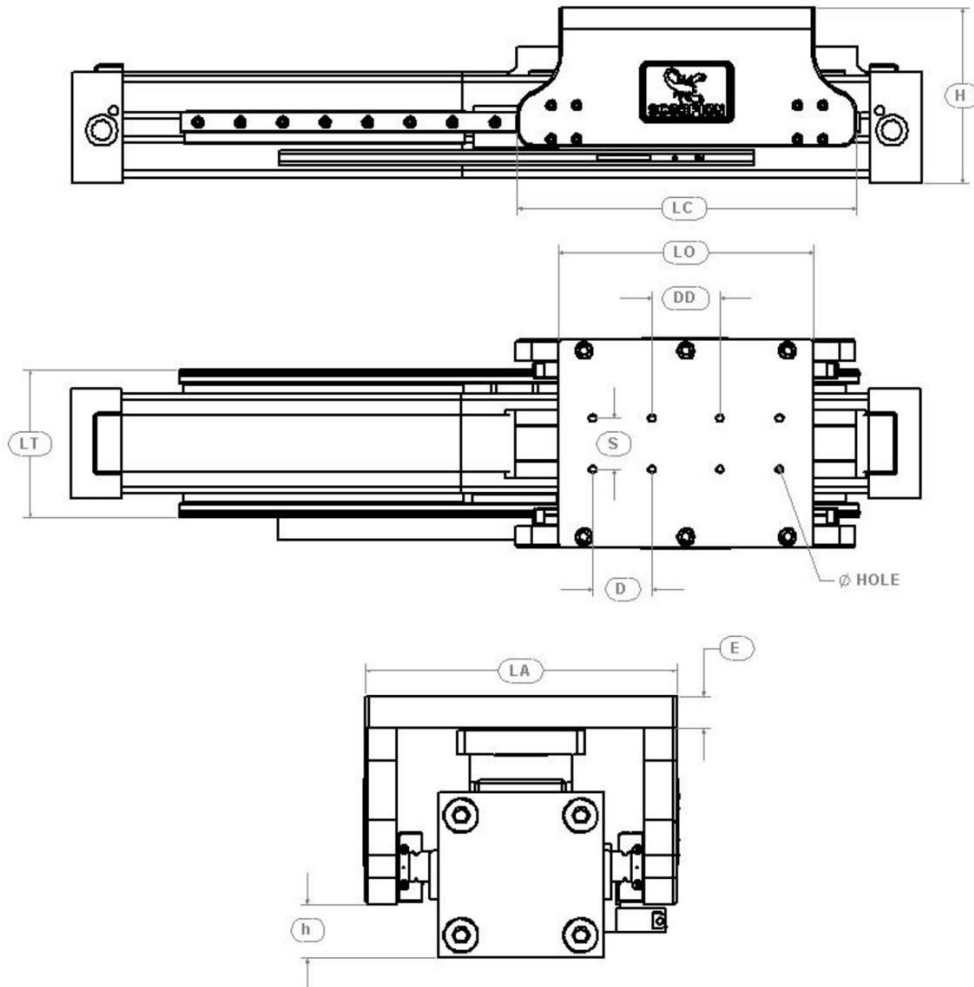
**Construction robuste et solide ...**



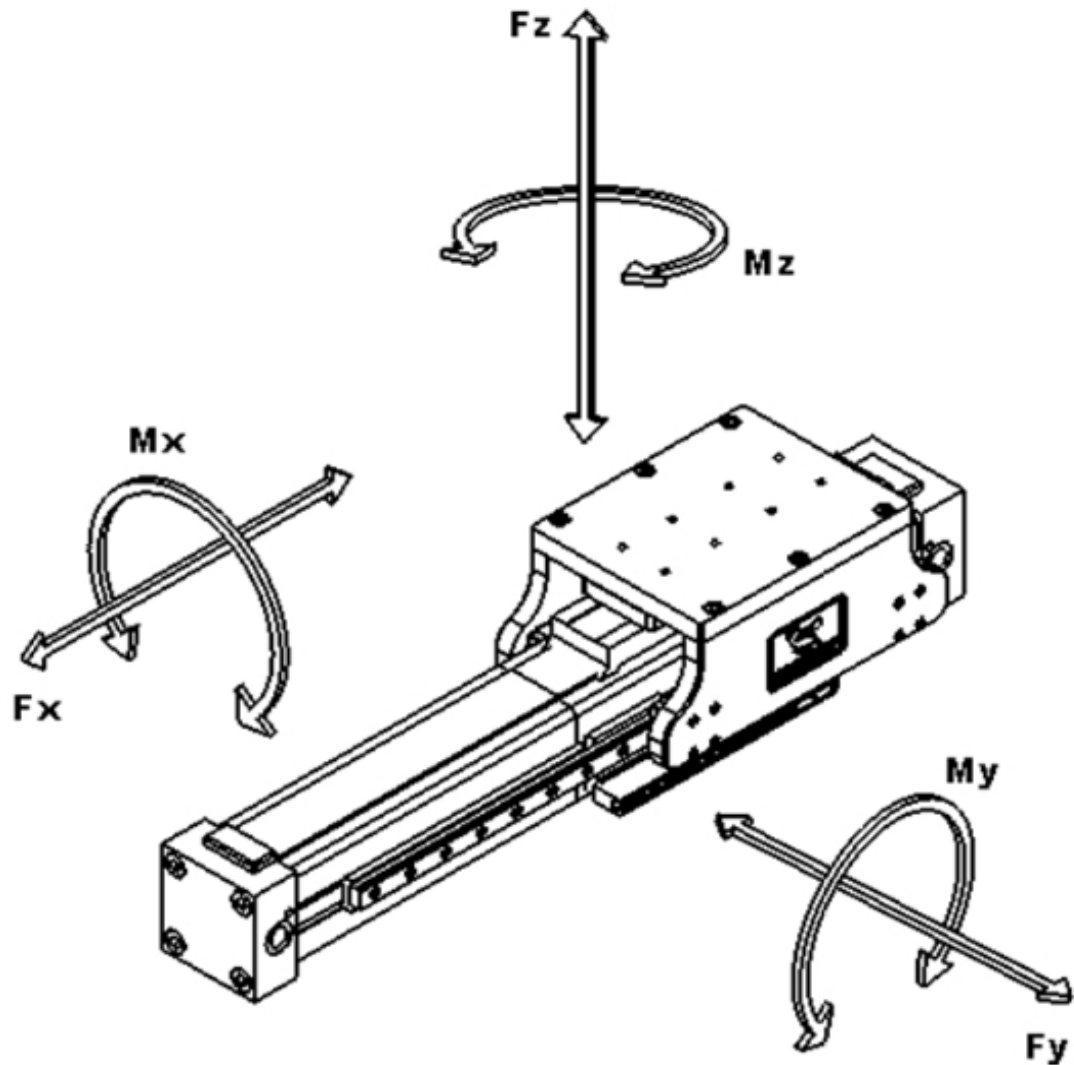


# SCORPION

## Dimensions 1605 MGL



SIZE	32	40	50	63
D	35mm. (1,38)	35mm. (1,38)	47,5mm. (1,87)	47,5mm. (1,87)
E	12,7mm. (.5)	12,7mm. (.5)	12,7mm. (.5)	12,7mm. (.5)
H	92,9mm. (3,6)	102,88mm. (4,05)	121mm. (4,76)	136,5mm. (5,37)
h	16,2mm. (.64)	21,18mm. (.83)	22,3mm. (.88)	29,8mm. (1,17)
S	30mm. (1,18)	30mm. (1,18)	40mm. (1,57)	40mm. (1,57)
DD	40mm. (1,57)	40mm. (1,57)	65mm. (2,56)	65mm. (2,56)
LA	111,3mm. (4,38)	122,39mm. (4,82)	143,61mm. (5,65)	159,61mm. (6,28)
LC	190mm. (7,48)	200mm. (7,87)	285mm. (11,22)	275mm. (10,83)
LO	150mm. (5,9)	150mm. (5,9)	232mm. (9,13)	235mm. (9,25)
LT	75,89mm. (2,99)	87mm. (3,42)	106,21mm. (4,18)	122,21mm. (4,81)
HOLE	M5 x 0,8	M5 x 0,8	M6 x 1,0	M6 x 1,0

**DONNÉE TECHNIQUE 1605**


SIZE	32	40	50	63
<b>FX</b>	499 N (90psi.)	780 N (90psi.)	1218 N (90psi.)	1935 N (90 psi.)
<b>MX</b>	84,5 N-m	84,5 N-m	194,95 N-m	194,95 N-m
<b>FZ</b>	1057 N	1057 N	2272 N	2272 N
<b>MZ</b>	341 N-m	341 N-m	541 N-m	541 N-m
<b>FY</b>	3023 N	3023 N	6492 N	6492 N
<b>MY</b>	341 N-m	341 N-m	541 N-m	541 N-m