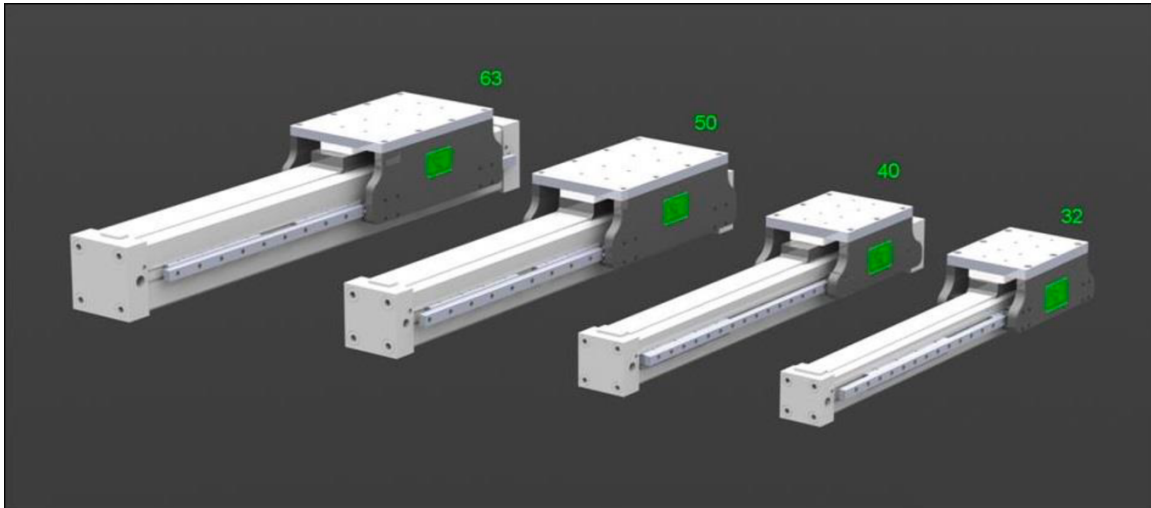
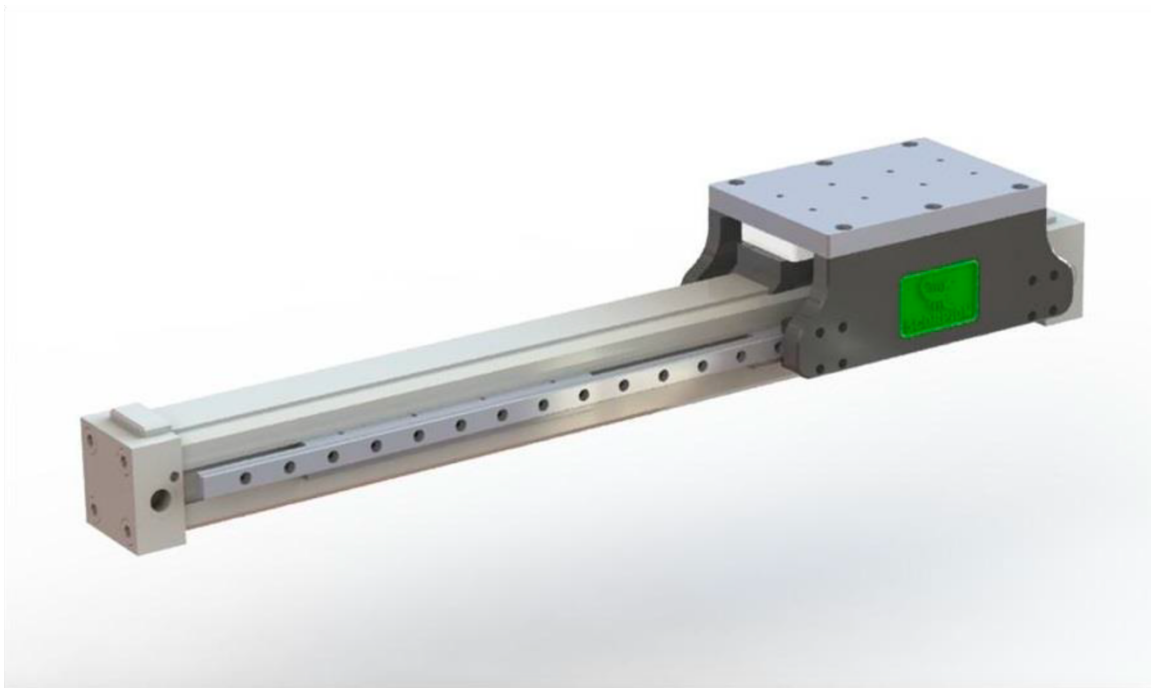




1605 MGL Series



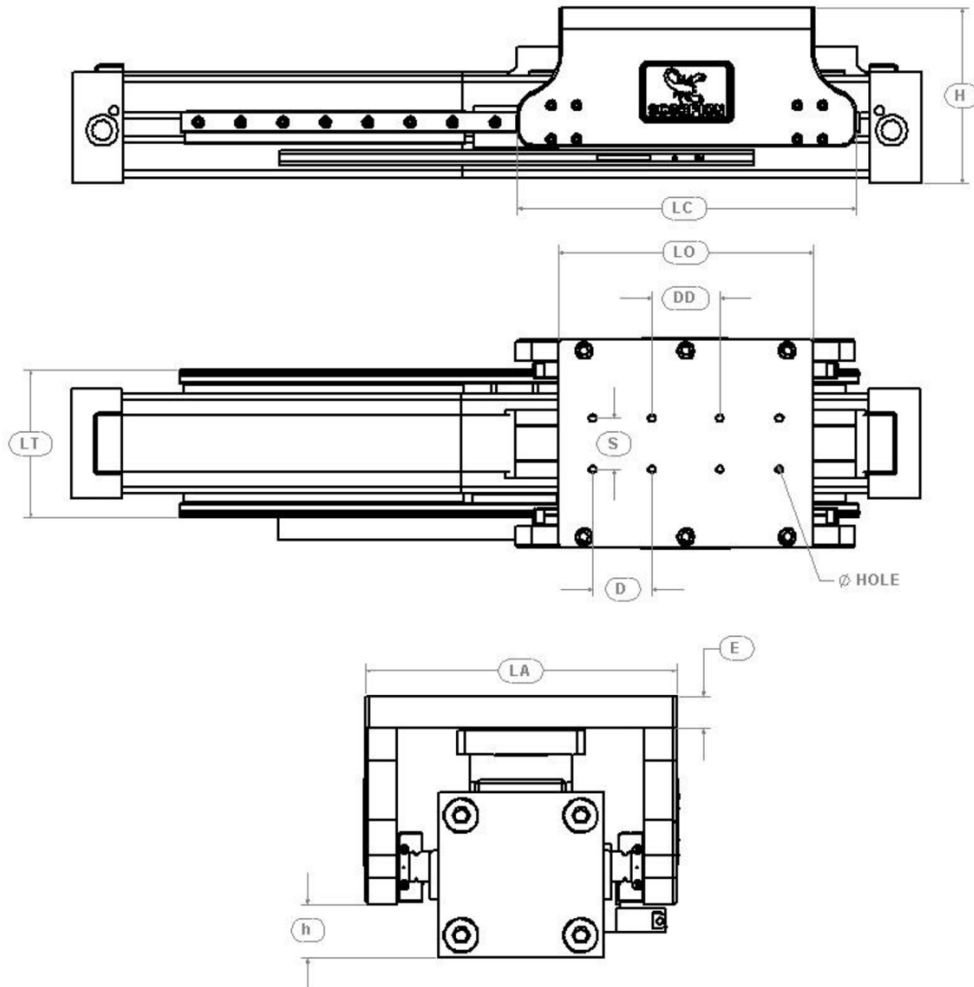
Built to support your ambitions...





SCORPION

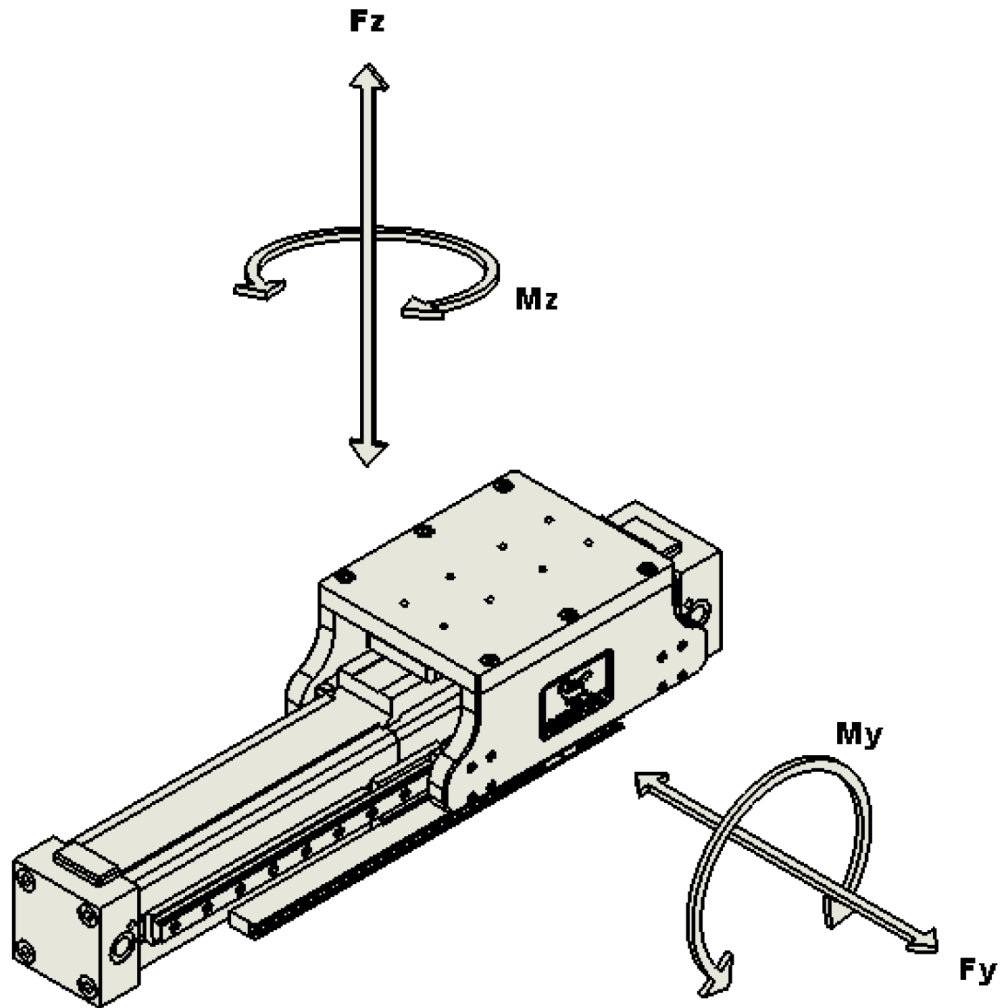
Dimensions 1605 MGL



SIZE	32	40	50	63
D	35mm. (1,38)	35mm. (1,38)	47,5mm. (1,87)	47,5mm. (1,87)
E	12,7mm. (,5)	12,7mm. (,5)	12,7mm. (,5)	12,7mm. (,5)
H	92,9mm. (3,6)	102,88mm. (4,05)	121mm. (4,76)	136,5mm. (5,37)
h	16,2mm. (,64)	21,18mm. (,83)	22,3mm. (,88)	29,8mm. (1,17)
S	30mm. (1,18)	30mm. (1,18)	40mm. (1,57)	40mm. (1,57)
DD	40mm. (1,57)	40mm. (1,57)	65mm. (2,56)	65mm. (2,56)
LA	111,3mm. (4,38)	122,39mm. (4,82)	143,61mm. (5,65)	159,61mm. (6,28)
LC	190mm. (7,48)	200mm. (7,87)	285mm. (11,22)	275mm. (10,83)
LO	150mm. (5,9)	150mm. (5,9)	232mm. (9,13)	235mm. (9,25)
LT	75,89mm. (2,99)	87mm. (3,42)	106,21mm. (4,18)	122,21mm. (4,81)
HOLE	M5 x 0,8	M5 x 0,8	M6 x 1,0	M6 x 1,0



Technical information



SIZE	32	40	50	63
FZ	3023 N-m	3023 N-m	6492 N-m	6492 N-m
MZ	14,4 N-m	14,4 N-m	73,5 N-m	73,5 N-m
FY	3023 N-m	3023 N-m	6492 N-m	6492 N-m
MY	14,4 N-m	14,4 N-m	73,5 N-m	73,5 N-m